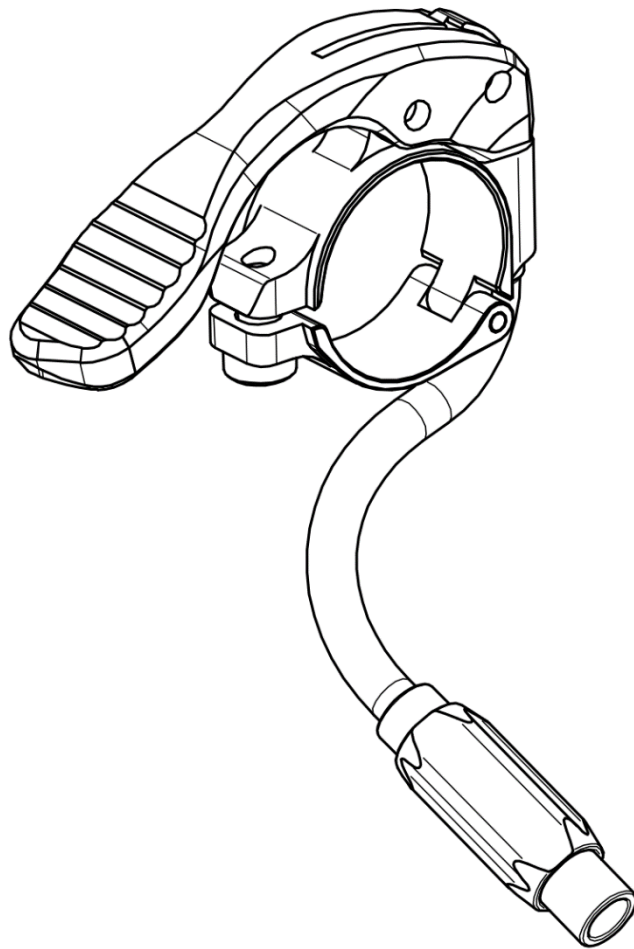




EIGHTPINS

Installation instruction On Bar Remote V2



V1 en 17.11.2023
On Bar Remote

Lupaan GmbH
Kristein 2
A-4470 Enns
www.eightpins.at
service@eightpins.at

For optimal functioning of the Underbar Remote, correct installation according to the following steps is necessary.

Installation instructions

The remote can be used on the right or left side of the handlebar.

Tools required

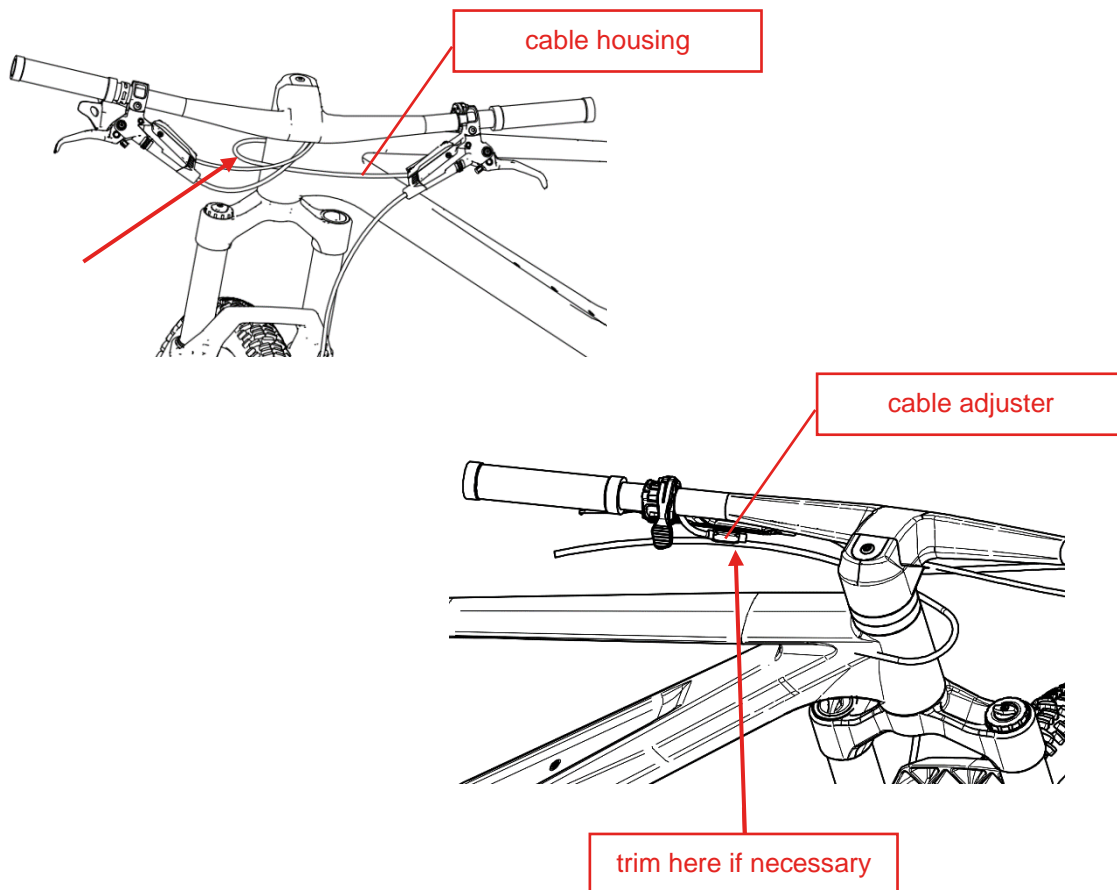
3mm Hex key

Torque wrench with 3mm hex attachment

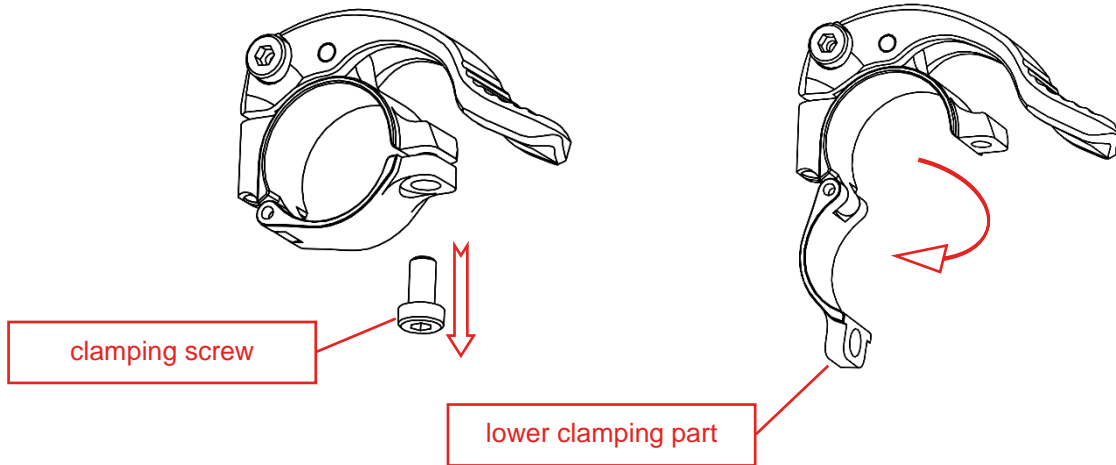
Bowden cable cutter or side cutter

Preparation

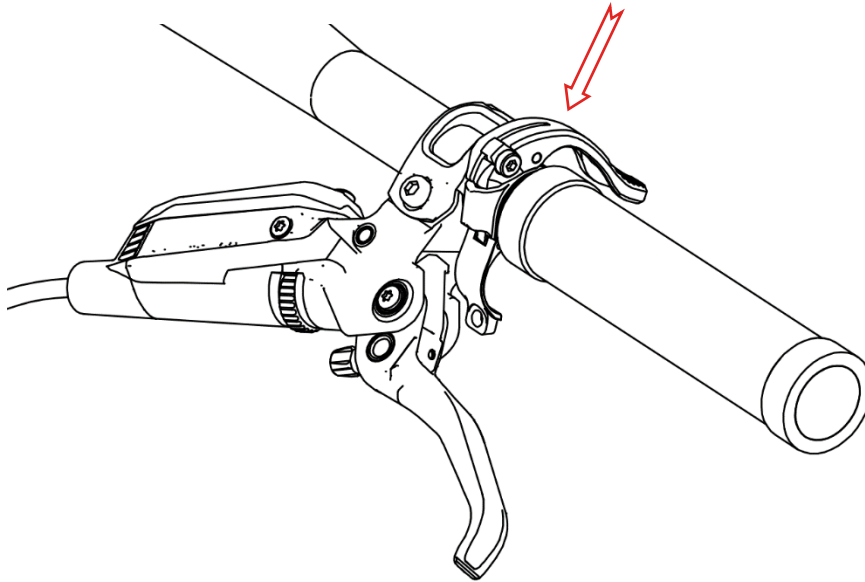
Install the seat post in the frame at the correct seat height, route the Bowden cable housing inside or on the frame, leading it towards the handlebars. Ensure that the Bowden cable housing is long enough to ensure a 90° handlebar turn. If necessary, trim the Bowden cable, or pull in a new Bowden cable.



Step 1: Open the clamping screw with a 3mm Hex key and fully release the lower clamping part.

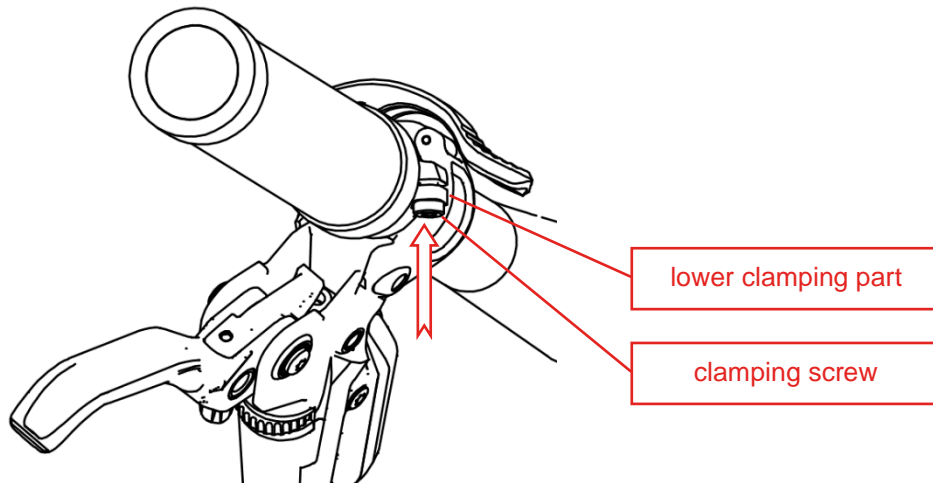


Step 2: Place the Remote as shown on the handlebar.

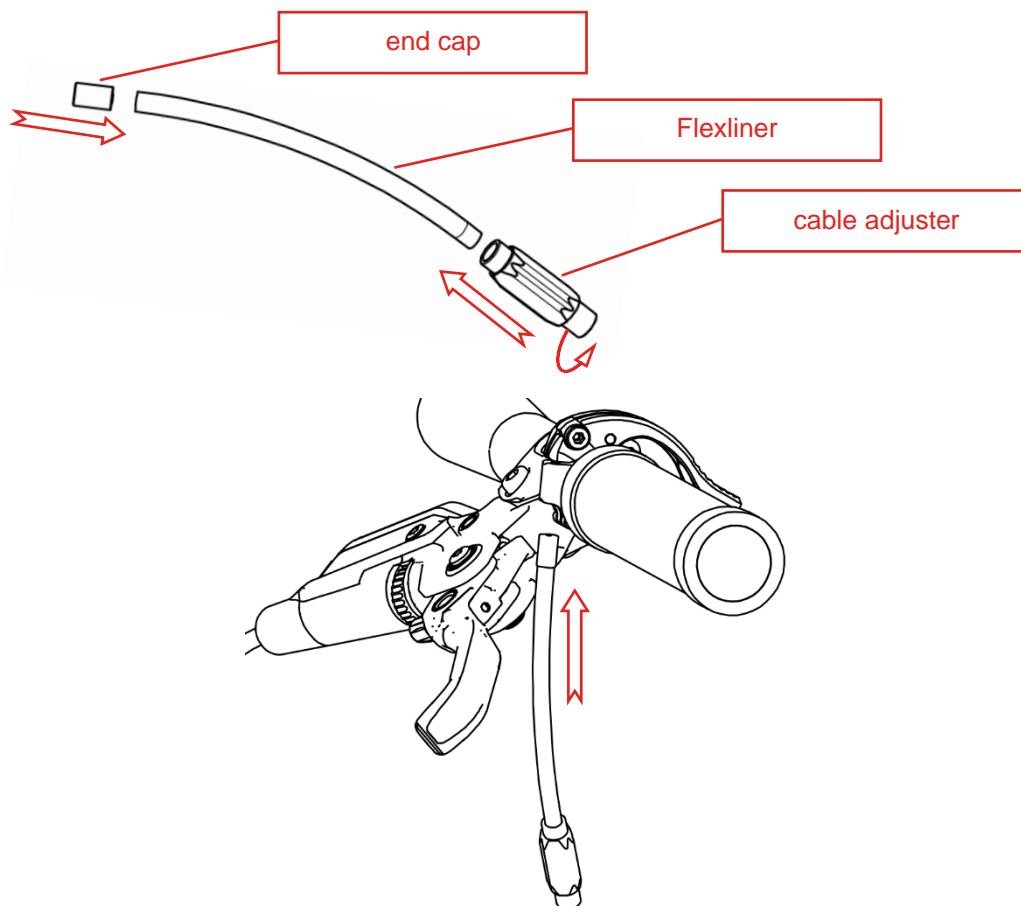


Tip: With the clamping part open, find the desired position by placing your hand on the grip in the riding position. Place your thumb on the "pressure area" of the lever to determine the perfect position. In the illustrated case, the clamping position of the Remote is between the grip and the brake lever.

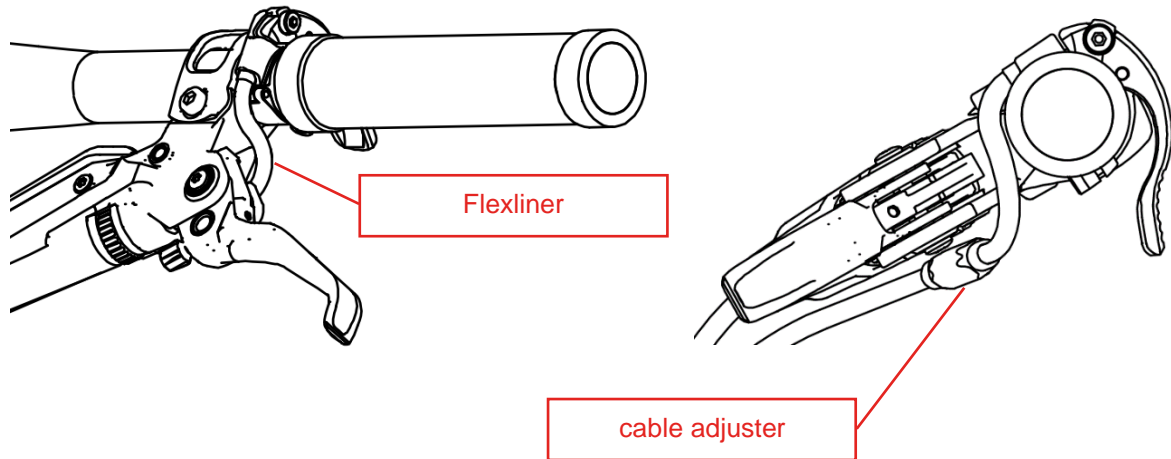
Step 3: At the desired position, close the lower clamping part and tighten the clamping screw to 1,5 Nm.



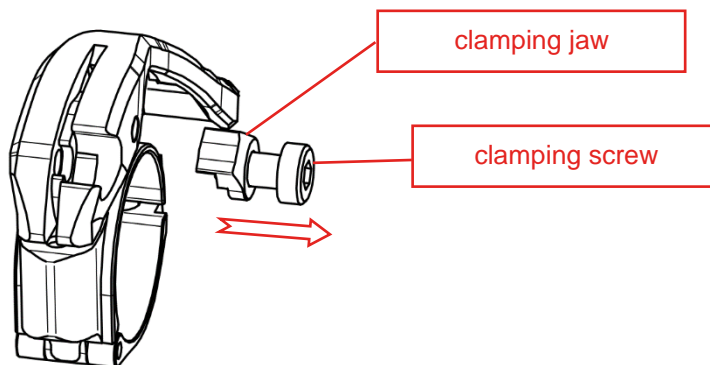
Step 4: Screw the cable adjuster completely in. Attach the end cap and cable adjuster to the Flexliner, inserting with the end cap side into the remote.



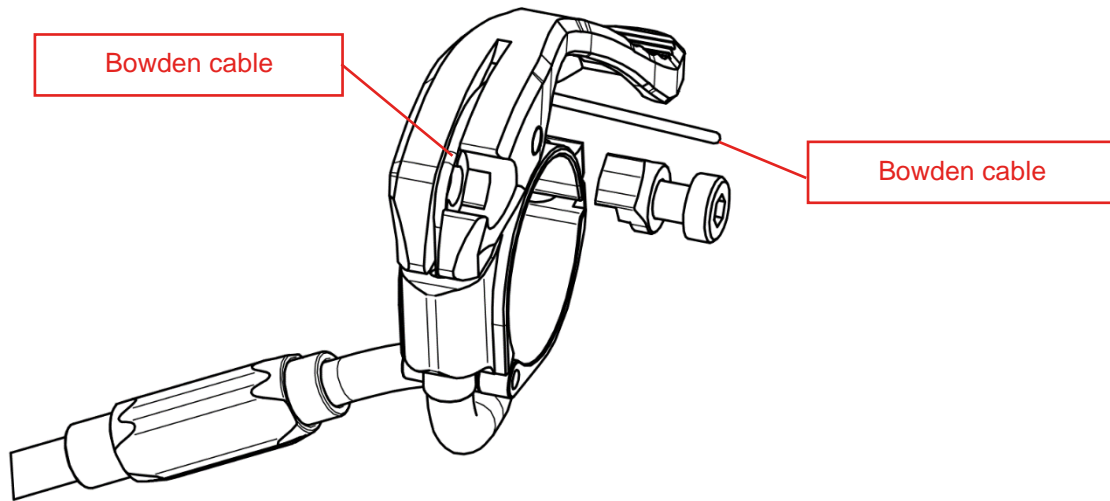
Step 5: Position the Flexliner and the cable adjuster along the brake line as shown.



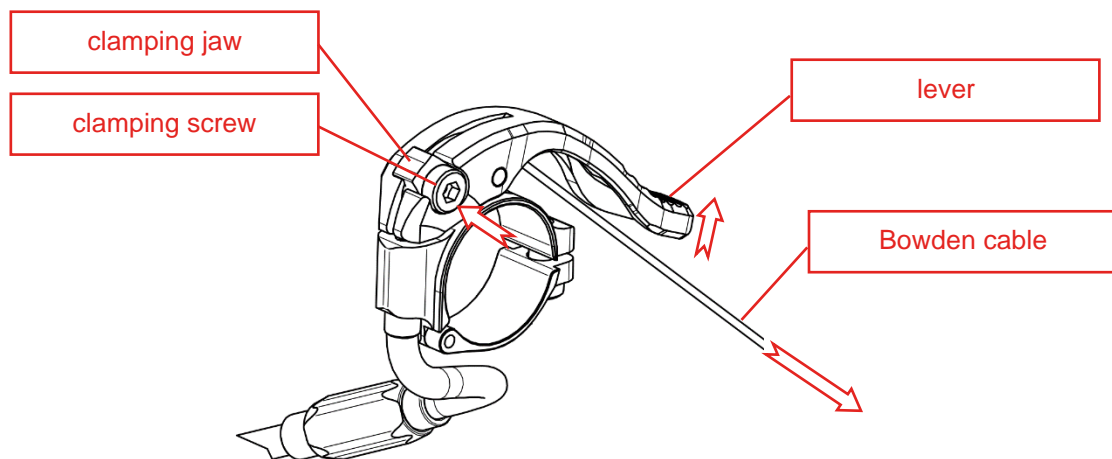
Step 6: Completely unscrew the clamping screw and store the clamping jaw together with the screw for later use.



Step 7: Thread the Bowden cable from bottom to top through the remote and then insert it downward through the lever.

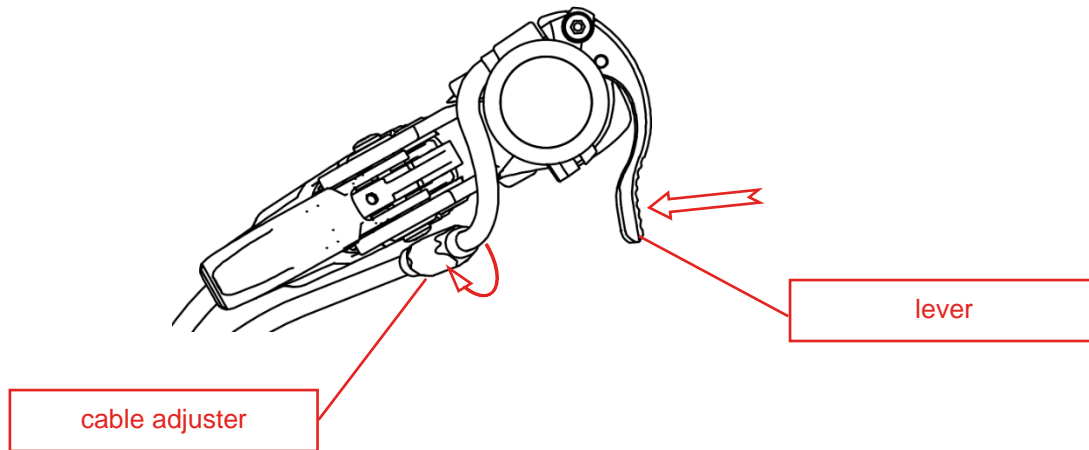


Step 8: Position the clamping jaw over the Bowden cable and partially screw in the clamping screw. Ensure that the lever is in the NOT-pressed position. Tighten the clamping screw under slight tension on the Bowden cable to 1,5 Nm.



Step 9: Open the cable adjuster until there is no free play felt at the remote lever.

Info: If the cable adjuster is already fully open and there is still free play at the lever, the cable adjuster must be completely screwed in again. Open the clamping screw again and tighten the Bowden cable. Tighten the clamping screw under slight tension on the Bowden cable to 1,5 Nm.



Step 10: Cut the protruding Bowden cable within the lever length using a cable cutter.

